

SUF160L

Surface Mount
 Super Fast Rectifiers
 1.0 Amp 600V

Features

- Batch process design, excellent power dissipation offers better reverse leakage current and thermal resistance.
- Low profile surface mounted application in order to optimize board space.
- Small plastic SMD package.
- High surge and high current capability.
- Superfast recovery time for switching mode application.
- RoHS compliant package

Mechanical Data

- Case: Molded plastic
- Epoxy: UL94-V0 rate flame retardant
- Weight: 0.0110 g (approximately)

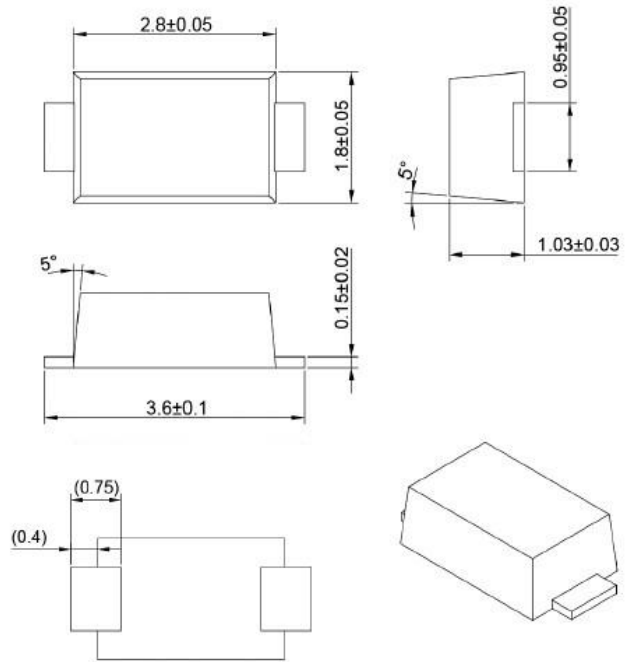
Package type: SOD123-FL

Packing & Order Information

3,000/Reel



RoHS
 COMPLIANT



Graphic symbol



SUF160L

Surface Mount
Super Fast Rectifiers
1.0 Amp 600V

MAXIMUM RATINGS AND ELECTRICAL CHARACTERISTICS

Maximum Ratings (Tc=25°C unless otherwise noted)

Parameter	Symbol	SUF160L	Unit
Maximum repetitive peak reverse voltage	VRRM	600	V
RMS Voltage (Max.)	VRMS	420	V
Working peak reverse voltage	VRWM	600	V
Maximum average forward rectified current	IF(AV)	1.0	A
Peak forward surge current 8.3ms single half sine-wave superimposed on rated load (JEDEC Method)	IFSM	25	A
Operating junction temperature range	TJ	-55 to +150	°C
Storage temperature range	TSTG	-55 to +150	°C

Electrical characteristics (Tc=25°C unless otherwise noted)

Parameter	Symbol	Value		Unit
		Typical	Max	
Instantaneous forward voltage at IF=1A, Tj=25°C	VF	1.5	1.7	V
Maximum reverse current per leg Tj=25°C	IR	1		u'A
at working peak reverse voltage Tj=100°C		100		u'A
Maximum Reverse Recovery Time	TRR	35		ns

Thermal characteristics (Tc=25°C unless otherwise noted)

Parameter	Symbol	Value	Unit
Typical thermal resistance	RθJA	42	°C/W

Notes:

- (1) Pulse test: 300 μs pulse width, 1 % duty cycle
- (2) Pulse test: Pulse width ≤ 40 ms

SUF160L

Surface Mount
Super Fast Rectifiers
1.0 Amp 600V

■ RATINGS AND CHARACTERISTIC CURVES

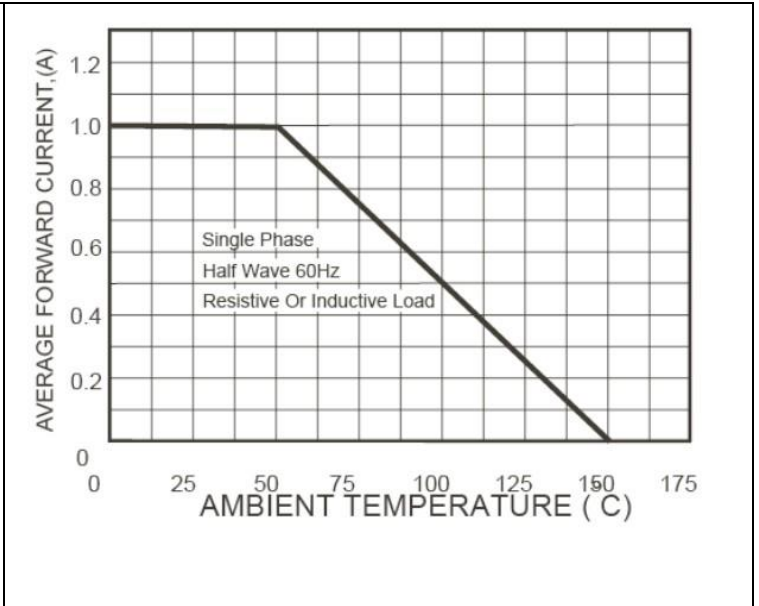
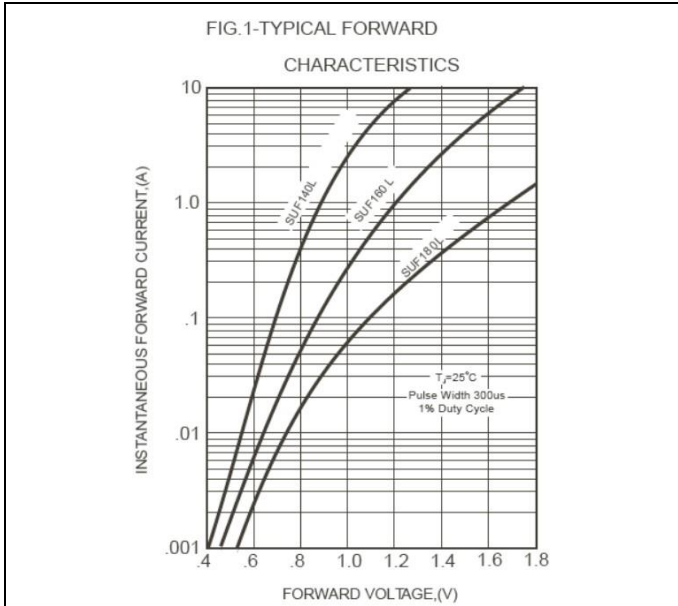


FIG.1 TYPICAL FORWARD CHARACTERISTICS

FIG.2 TYPICAL FORWARD CURRENT DERATING CURVE

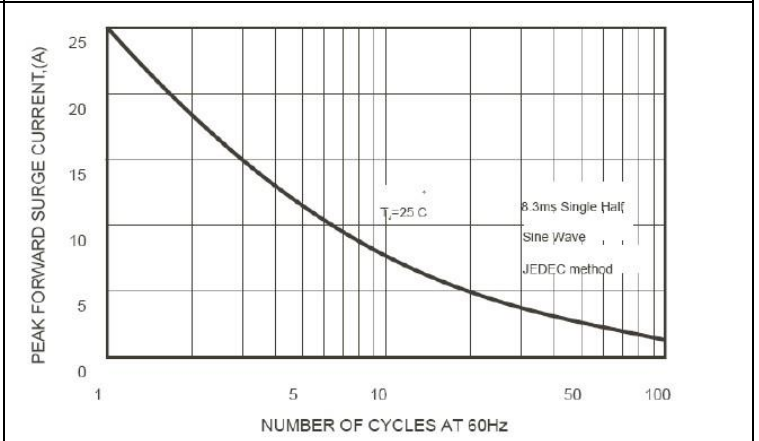
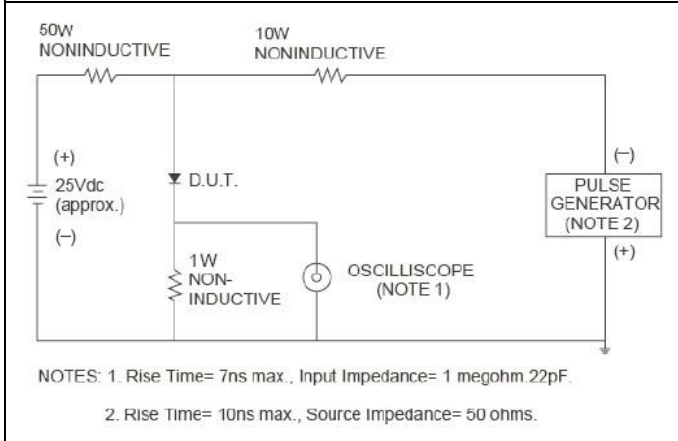


FIG.3-TEST CIRCUIT DIAGRAM AND REVERSE RECOVERY TIME CHARACTERISTICS

FIG.4-MAXIMUM NON-REPETITIVE FORWARD SURGE CURRENT

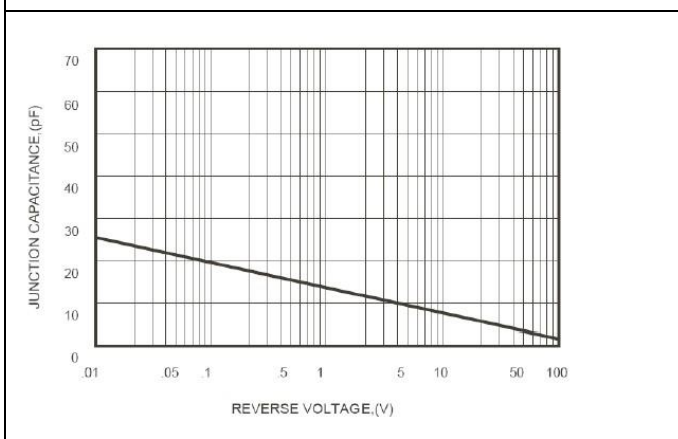


FIG.5-TYPICAL JUNCTION CAPACITANCE

SUF160L

Surface Mount

Super Fast Rectifiers

1.0 Amp 600V

Disclaimer

ALL PRODUCT, PRODUCT SPECIFICATIONS AND DATA ARE SUBJECT TO CHANGE WITHOUT NOTICE TO IMPROVE RELIABILITY, FUNCTION OR DESIGN OR OTHERWISE.

Bruckewell Technology Inc., its affiliates, agents, and employees, and all persons acting on its or their behalf (collectively, "Bruckewell"), disclaim any and all liability for any errors, inaccuracies or incompleteness contained in any datasheet or in any other disclosure relating to any product.

Bruckewell makes no warranty, representation or guarantee regarding the suitability of the products for any particular purpose or the continuing production of any product. To the maximum extent permitted by applicable law, Bruckewell disclaims

- (i) Any and all liability arising out of the application or use of any product.
- (ii) Any and all liability, including without limitation special, consequential or incidental damages.
- (iii) Any and all implied warranties, including warranties of fitness for particular purpose, non-infringement and merchantability.

Statements regarding the suitability of products for certain types of applications are based on Bruckewell's knowledge of typical requirements that are often placed on Bruckewell products in generic applications.

Such statements are not binding statements about the suitability of products for a particular application. It is the customer's responsibility to validate that a particular product with the properties described in the product specification is suitable for use in a particular application. Parameters provided in datasheets and/or specifications may vary in different applications and performance may vary over time.

Product specifications do not expand or otherwise modify Bruckewell's terms and conditions of purchase, including but not limited to the warranty expressed therein.