

# MURF1020CT

## Super Fast Rectifiers

### Features

- Low cost.
- Diffused junction
- Low forward voltage drop.
- High current capability.
- Easily cleaned with Alcohol, Isopropanol and Similar solvents.
- RoHS compliant package

### Mechanical Data

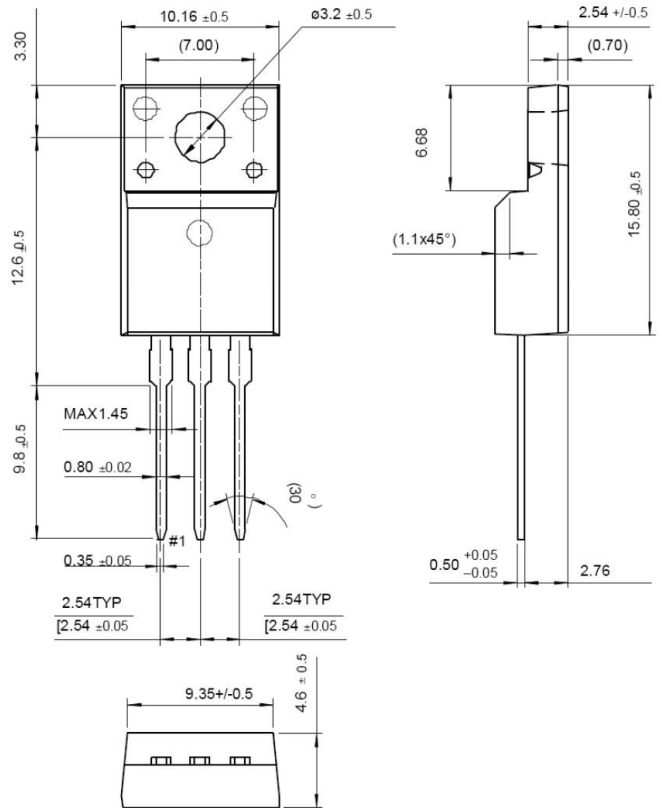
- Case: ITO-220AB
- Molding compound meets UL 94 V-0 flammability
- RoHS compliant, and commercial grade
- Terminals: Matte tin plated leads, solderable per J-STD-002 and JEDEC 22-B102
- Polarity: As marked
- Weight: 0.08ounce, 2.24 grams

### Packing & Order Information

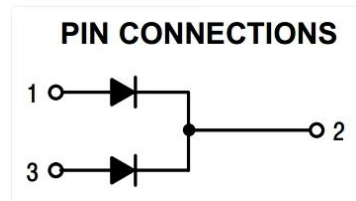
50/Tube ; 1,000/Box



**RoHS  
COMPLIANT**



### Graphic symbol



## MAXIMUM RATINGS AND ELECTRICAL CHARACTERISTICS

### Maximum Ratings (Tc=25°C unless otherwise noted)

Parameter	Symbol	MURF1020CT	Unit
Maximum repetitive peak reverse voltage	VRRM	200	V
Working peak reverse voltage	VRWM	140	V
Maximum DC blocking voltage	VDC	200	V
Maximum average forward rectified current	IF(AV)	10	A
Peak forward surge current 8.3ms single half sine-wave superimposed on rated load (JEDEC Method)	IFSM	60	A
Junction Capacitance	Cj	70	pF
Operating junction temperature range	TJ	-50 to +150	°C
Storage temperature range	TSTG	-50 to +150	°C

# MURF1020CT

## Super Fast Rectifiers

### Electrical characteristics (Tc=25°C unless otherwise noted)

Parameter	Symbol	Value		Unit
		Typical	Max	
Instantaneous forward voltage at IF=8A, TA=25°C	VF	0.92	0.98	V
Maximum reverse current Tj=25°C	IR	5		µA
at working peak reverse voltage Tj=150°C		250		µA
Reverse Recovery Time IF=0.5A, IR=1A, Irr=0.25A	Trr	25		ns

### Thermal characteristics (Tc=25°C unless otherwise noted)

Parameter	Symbol	Value	Unit
Typical thermal resistance	Symbol	MURF1020CT	°C/W
	Rthja	3.0	

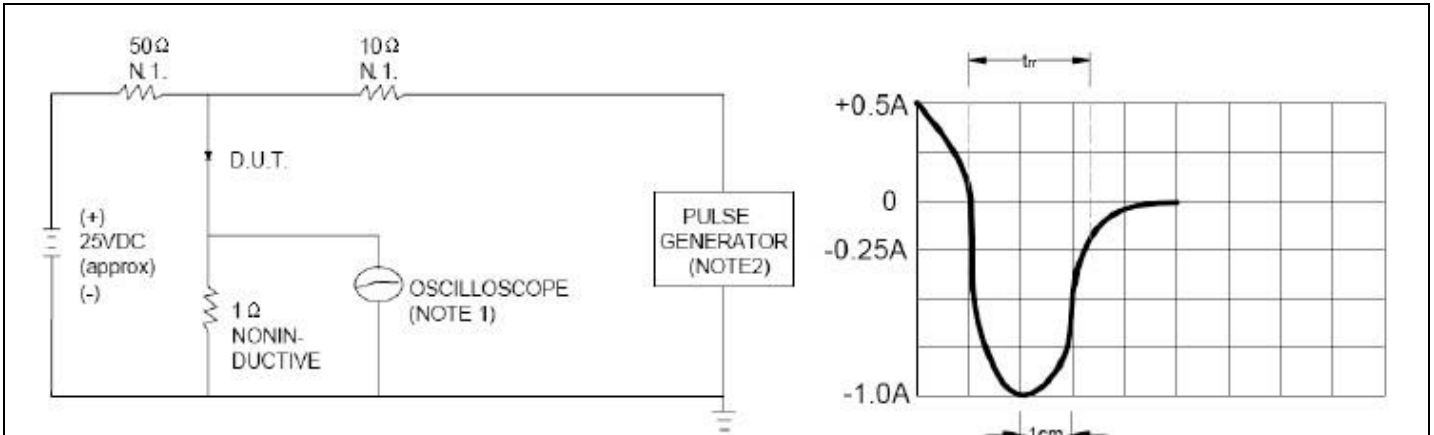
#### Notes:

- (1) Pulse test: 300 µs pulse width, 1 % duty cycle
- (2) Pulse test: Pulse width ≤ 40 ms
- (3) Cj Measured at 1.0MHz and reverse voltage of 4.0V DC

## MURF1020CT

### Super Fast Rectifiers

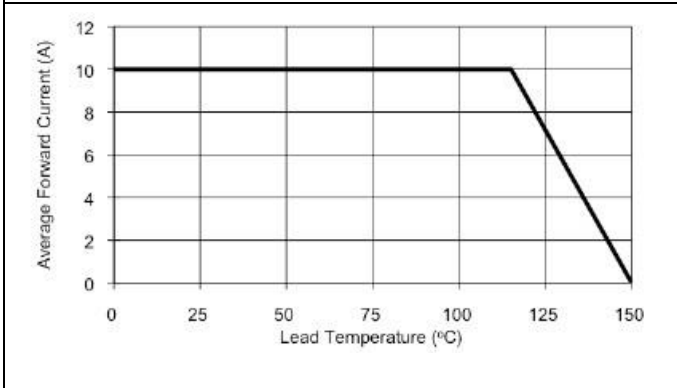
■ TYPICAL CHARACTERISTICS @ Ta=25°C unless otherwise specified



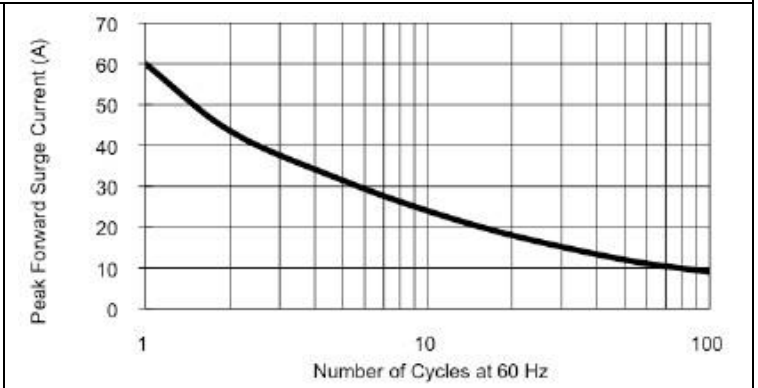
**NOTES:**

- 1. RISE TIME = 7ns MAX. INPUT IMPEDANCE = 1M . 22pF. SET TIME BASE FOR 10/20 ns/cm
- 2. RISE TIME = 10ns MAX. SOURCE IMPEDANCE = 50

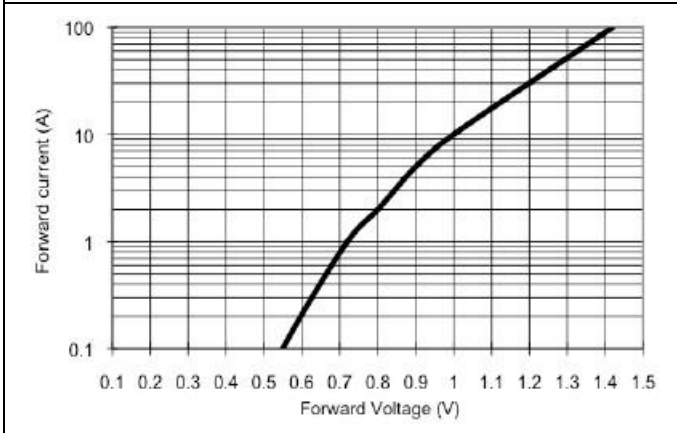
**FIG.1-TEST CIRCUIT DIAGRAM AND REVERSE RECOVERY TIME CHARACTERISTIC**



**FIG.2-MAXIMUM FORWARD CURRENT DERATING CURVE**



**FIG.3- MAXIMUM FORWARD SURGE CURVE**



**FIG.4-TYPICAL FORWARD CHARACTERISTICS**

## MURF1020CT

### Super Fast Rectifiers

#### Disclaimer

ALL PRODUCT, PRODUCT SPECIFICATIONS AND DATA ARE SUBJECT TO CHANGE WITHOUT NOTICE TO IMPROVE RELIABILITY, FUNCTION OR DESIGN OR OTHERWISE.

Bruckewell Technology Inc., its affiliates, agents, and employees, and all persons acting on its or their behalf (collectively, "Bruckewell"), disclaim any and all liability for any errors, inaccuracies or incompleteness contained in any datasheet or in any other disclosure relating to any product.

Bruckewell makes no warranty, representation or guarantee regarding the suitability of the products for any particular purpose or the continuing production of any product. To the maximum extent permitted by applicable law, Bruckewell disclaims

- (i) Any and all liability arising out of the application or use of any product.
- (ii) Any and all liability, including without limitation special, consequential or incidental damages.
- (iii) Any and all implied warranties, including warranties of fitness for particular purpose, non-infringement and merchantability.

Statements regarding the suitability of products for certain types of applications are based on Bruckewell's knowledge of typical requirements that are often placed on Bruckewell products in generic applications.

Such statements are not binding statements about the suitability of products for a particular application. It is the customer's responsibility to validate that a particular product with the properties described in the product specification is suitable for use in a particular application. Parameters provided in datasheets and/or specifications may vary in different applications and performance may vary over time.

Product specifications do not expand or otherwise modify Bruckewell's terms and conditions of purchase, including but not limited to the warranty expressed therein.