

MS 15N60

N-Channel Enhancement Mode Power MOSFET

Description

The MS15N60 is a N-channel enhancement-mode MOSFET, providing the designer with the best combination of fast switching, ruggedized device design, low on-resistance and cost effectiveness. The TO-220AB package is universally preferred for all commercial-industrial applications

Features

- Low On Resistance
- Simple Drive Requirement
- Low Gate Charge
- Fast Switching Characteristic
- RoHS compliant package

Application

- Adapter
- Switching Mode Power Supply

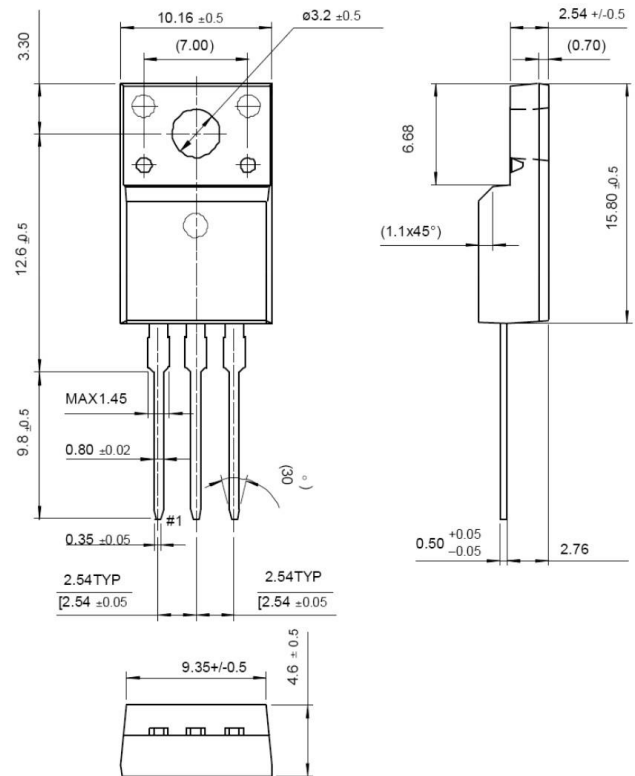
Package type : TO-220AB

Packing & Order Information

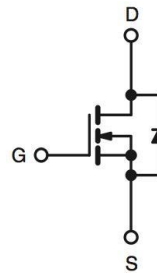
50/Tube ; 1,000/Box



**RoHS
COMPLIANT**



Graphic symbol



MAXIMUM RATINGS AND ELECTRICAL CHARACTERISTICS

Absolute Maximum Ratings

Symbol	Parameter	Value	Unit
V _{DSS}	Drain-Source Voltage	600	V
V _{GS}	Gate-Source Voltage	±30	V
I _D	Drain Current -Continuous (TC=25°C)	15	A
	Drain Current -Continuous (TC=100°C)	9.5	A
I _{DM}	Drain Current -Pulsed	60	A
I _{AR}	Avalanche Current	15	A
E _{AS}	Single Pulsed Avalanche Energy	245	mJ
E _{AR}	Repetitive Avalanche Energy	24	mJ
dV/dt	Peak Diode Recovery dV/dt	9.8	V/ns
T _J	Storage Temperature	150	°C

- Drain current limited by maximum junction temperature

MS 15N60

N-Channel Enhancement Mode Power MOSFET

Absolute Maximum Ratings (Tc=25°C unless otherwise specified)

Symbol	Parameter	Value	Unit
P _D	Power Dissipation (TC=25°C)	245	W
	Derate above 25C	2	W/°C
T _{STG}	Operating Junction and Storage Temperature	-55 to +150	°C
T _L	Maximum lead temperature for soldering purposes, 1/8" from case for 5 seconds	300	°C

Note:

1. Repetitive rating; pulse width limited by maximum junction temperature.
2. I_{AS}=15A, V_{DD}=50V, L=0.5mH, R_G=25Ω, starting T_J=+25°C.
3. I_{SD}≤7.5A, di/dt≤100A/μs, V_{DD}≤BVDSS, starting T_J=+25°C.

Thermal Characteristics

Symbol	Parameter	Typ.	Max.	Units
R _{θJC}	Thermal Resistance , Junction-to-Case	--	0.51	°C/W
R _{θJA}	Thermal Resistance , Junction-to-Ambient	--	62.5	

Static Characteristics

Symbol	Parameter	Test Conditions	Min	Typ.	Max.	Units
V _{GS(th)}	Gate Threshold Voltage	V _{DS} = V _{GS} , I _D =250μA	2.0	--	4.0	V
BV _{DSS}	Drain-Source Breakdown Voltage	V _{GS} = 0 V , I _D =250μA	600	--	--	V
ΔBV _{DSS} /ΔT _J	Breakdown Voltage Temperature Coefficient	I _D = 250μA, Referenced to 25°C	--	0.7	--	V/°C
I _{DSS}	Zero Gate Voltage Drain Current	V _{DS} = 600 V , V _{GS} = 0 V V _{DS} = 480 V , T _C = 125°C	--	--	1 10	uA
I _{GSS}	Gate-Body Leakage Current, Forward	V _{GS} = ±30	--	--	±100	nA
*R _{DS(ON)}	Static Drain-Source On-Resistance	V _{GS} = 10 V , I _D = 7.5 A	--	0.45	0.52	Ω

Dynamic Characteristics

Symbol	Parameter	Test Conditions	Min	Typ.	Max.	Units
t _{d(on)}	Turn-On Time	V _{DD} = 250 V, I _D = 15 A, V _{GS} = 10 V , R _G = 9.1 Ω	--	50	101	ns
t _r	Turn-On Time		--	78	162	ns
t _{d(off)}	Turn-Off Delay Time		--	120	261	ns
t _f	Turn-Off Fall Time		--	66	128	ns

MS15N60

N-Channel Enhancement Mode Power MOSFET

Dynamic Characteristics						
Symbol	Parameter	Test Conditions	Min	Typ.	Max.	Units
C_{ISS}	Input Capacitance	$V_{DS} = 25\text{ V}, V_{GS} = 0\text{ V},$ $f = 1.0\text{MHz}$	--	2270	3000	pF
C_{OSS}	Output Capacitance		--	300	405	pF
C_{RSS}	Reverse Transfer Capacitance		--	23	37	pF
Q_g	Total Gate Charge	$V_{DD} = 250\text{ V}, I_D = 15\text{ A},$ $V_{GS} = 10\text{ V}$	--	36	60	nC
Q_{gs}	Gate-Source Charge		--	9	--	nC
Q_{gd}	Gate-Drain Charge		--	16	--	nC

Source-Drain Diode						
Symbol	Parameter	Test Conditions	Min	Typ.	Max.	Units
I_S		$V_D = V_G = 0,$ $V_S = 1.3\text{ V}$	--	--	14	A
I_{SM}			--	--	60	
V_{SD}		$I_S = 15\text{ A}, V_{GS} = 0\text{ V}$	--	--	1.4	V
t_{rr}		$I_F = 15\text{ A}, V_{GS} = 0\text{ V}$ $diF/dt = 100\text{A/us}$	--	600	--	ns
Q_{rr}			--	7.2	--	nC

*Pulse Test : Pulse Width $\leq 300\mu\text{s}$, Duty Cycle $\leq 2\%$

MS 15N60

N-Channel Enhancement Mode Power MOSFET

Disclaimer

ALL PRODUCT, PRODUCT SPECIFICATIONS AND DATA ARE SUBJECT TO CHANGE

WITHOUT NOTICE TO IMPROVE RELIABILITY, FUNCTION OR DESIGN OR OTHERWISE.

Bruckewell Technology Inc., its affiliates, agents, and employees, and all persons acting on its or their behalf (collectively, "Bruckewell"), disclaim any and all liability for any errors, inaccuracies or incompleteness contained in any datasheet or in any other disclosure relating to any product.

Bruckewell makes no warranty, representation or guarantee regarding the suitability of the products for any particular purpose or the continuing production of any product. To the maximum extent permitted by applicable law, Bruckewell disclaims

- (i) Any and all liability arising out of the application or use of any product.
- (ii) Any and all liability, including without limitation special, consequential or incidental damages.
- (iii) Any and all implied warranties, including warranties of fitness for particular purpose, non-infringement and merchantability.

Statements regarding the suitability of products for certain types of applications are based on Bruckewell's knowledge of typical requirements that are often placed on Bruckewell products in generic applications.

Such statements are not binding statements about the suitability of products for a particular application. It is the customer's responsibility to validate that a particular product with the properties described in the product specification is suitable for use in a particular application. Parameters provided in datasheets and/or specifications may vary in different applications and performance may vary over time.

Product specifications do not expand or otherwise modify Bruckewell's terms and conditions of purchase, including but not limited to the warranty expressed therein.