

MB22S-210S

Surface Mount Schottky Bridge Rectifiers
 REVERSE VOLTAGE: 20 - 100 V

Features

- High Temperature Soldering Guaranteed:260 C/10

Second

- Saves Space On Printed Circuit Board
- RoHS compliant package

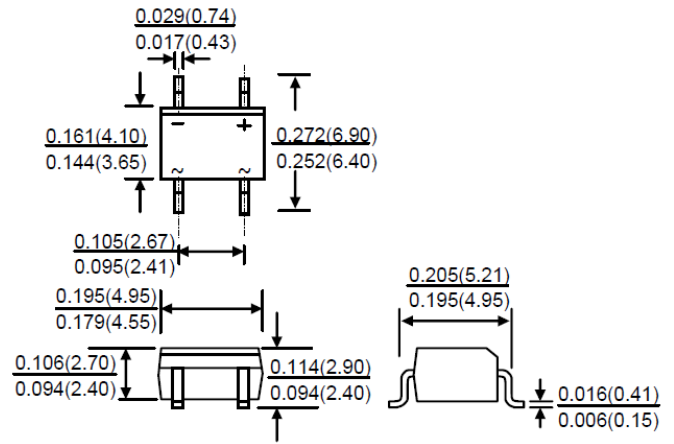
Mechanical Characteristics

- Case: MBS
- Epoxy: UL94V-O rate flame retardant
- Lead: Lead Formed for Surface Mount

Packing & Order Information

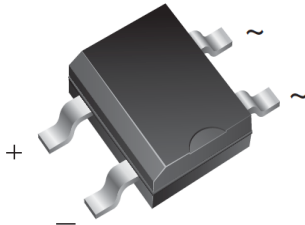
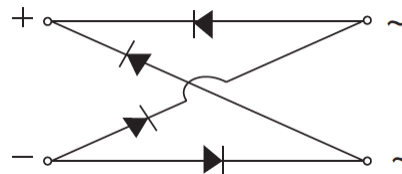
50/Tube ; 1,000/Box

MBS (TO-269AA)



Dimensions in inches and (millimeters)

Graphic symbol



RoHS
COMPLIANT

MAXIMUM RATINGS AND ELECTRICAL CHARACTERISTICS

Maximum Ratings (Tc=25°C unless otherwise noted)							
Parameter	Symbol	MB22S	MB24S	MB26S	MB28S	MB210S	Unit
Maximum recurrent peak reverse voltage	VRRM	20	40	60	80	100	V
Maximum RMS voltage	VRMS	14	28	42	56	70	V
Maximum DC blocking voltage	VDC	20	40	60	80	100	V
Maximum average forward rectified Current Total device	IF(AV)	2					A
Peak forward surge current 8.3ms single half sine-wave superimposed on rated load (JEDEC Method)	IFSM	50					A
Operating junction temperature range	T _J	-55 to +150					°C
Storage temperature range	T _{STG}	-55 to +150					°C

MB22S-210S

Surface Mount Schottky Bridge Rectifiers

REVERSE VOLTAGE: 20 - 100 V

Electrical characteristics (Tc=25°C unless otherwise noted)

Parameter	Symbol	Value					Unit
Maximum instantaneous at IF=1A, Tj=25°C	VF	0.45	0.50	0.70	0.85	0.85	V
Maximum reverse current Tj=25°C	IR	500					u'A
at working peak reverse voltage Tj=125°C		20					m'A

Thermal characteristics (Tc=25°C unless otherwise noted)

Parameter	Symbol	Value	Unit
Typical thermal resistance	Symbol	MB22S-210S	°C/W
	RθJA	85	
	Rthjl	28	

NOTE :

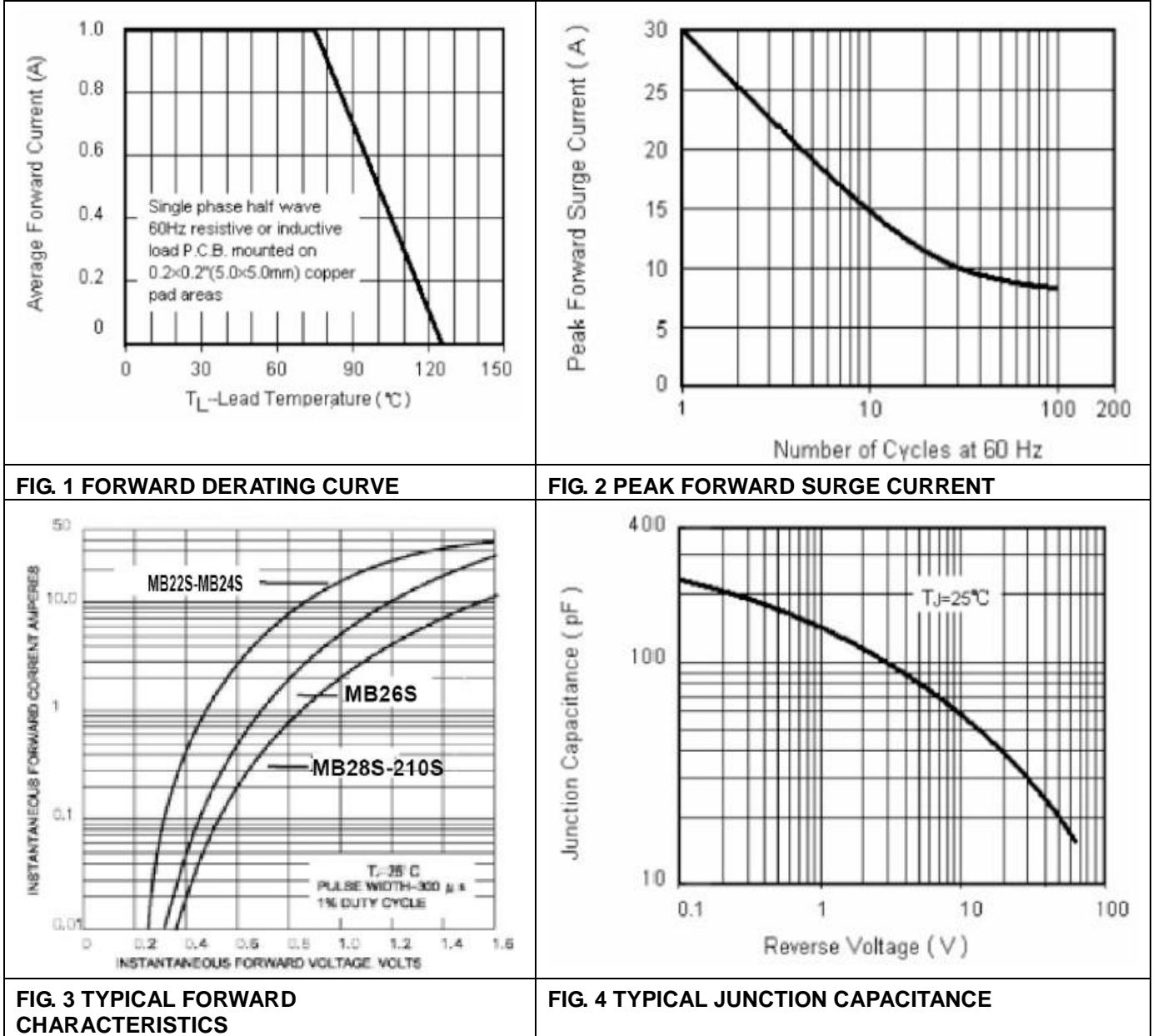
1.Pulse test: Pulse width 300us, duty cycle 1%

MB22S-210S

Surface Mount Schottky Bridge Rectifiers

REVERSE VOLTAGE: 20 - 100 V

■ RATING AND CHARACTERISTIC CURVES



MB22S-210S

Surface Mount Schottky Bridge Rectifiers

REVERSE VOLTAGE: 20 - 100 V

Disclaimer

ALL PRODUCT, PRODUCT SPECIFICATIONS AND DATA ARE SUBJECT TO CHANGE

WITHOUT NOTICE TO IMPROVE RELIABILITY, FUNCTION OR DESIGN OR OTHERWISE.

Bruckewell Technology Inc., its affiliates, agents, and employees, and all persons acting on its or their behalf (collectively, "Bruckewell"), disclaim any and all liability for any errors, inaccuracies or incompleteness contained in any datasheet or in any other disclosure relating to any product.

Bruckewell makes no warranty, representation or guarantee regarding the suitability of the products for any particular purpose or the continuing production of any product. To the maximum extent permitted by applicable law, Bruckewell disclaims

- (i) Any and all liability arising out of the application or use of any product.
- (ii) Any and all liability, including without limitation special, consequential or incidental damages.
- (iii) Any and all implied warranties, including warranties of fitness for particular purpose, non-infringement and merchantability.

Statements regarding the suitability of products for certain types of applications are based on Bruckewell's knowledge of typical requirements that are often placed on Bruckewell products in generic applications.

Such statements are not binding statements about the suitability of products for a particular application. It is the customer's responsibility to validate that a particular product with the properties described in the product specification is suitable for use in a particular application. Parameters provided in datasheets and/or specifications may vary in different applications and performance may vary over time.

Product specifications do not expand or otherwise modify Bruckewell's terms and conditions of purchase, including but not limited to the warranty expressed therein.