

BAT54

Schottky Barrier Diode

Features

- Silicon Epitaxial Planar Diode
- Lead free product ,compliance to RoHS
- Low power loss
- High efficiency High current capability , low VF
- RoHS compliant package

Applications

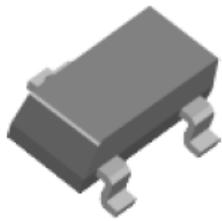
- Memory backup circuits
- Portable equipment battery applications
- Protecting LED Drivers
- AC/DC Converter Telecommunication

Mechanical Data

- SMD SOT23 case
- Weight : 8.8 mg
- Moisture Sensitivity: Level 1 per J-STD-020D
- Lead Free in RoHS 2002/95/EC Compliant

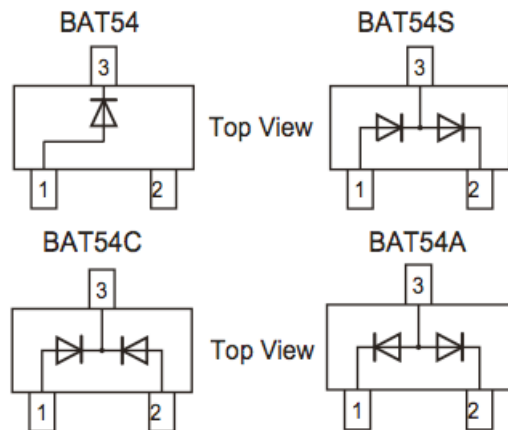
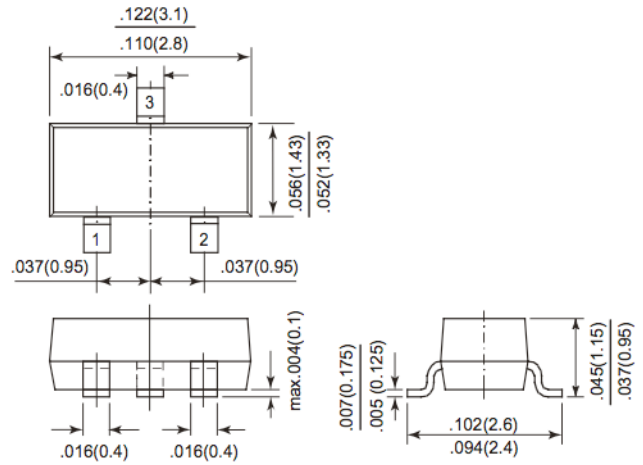
Packing & Order Information

3,000/Reel

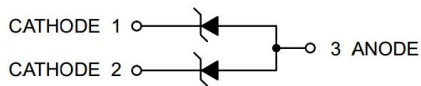


RoHS
COMPLIANT

SOT-23



Graphic symbol



BAT54

Schottky Barrier Diode

MAXIMUM RATINGS AND ELECTRICAL CHARACTERISTICS

Maximum Ratings & Thermal Characteristics (Tamb=25°C unless otherwise noted)

Symbol	Parameter	BAT54	BAT54A	BAT54C	BAT54S	Unit
	Device marking code	L4	L42	L43	L44	
VRRM	Repetitive peak reverse voltage	30				V
IF	Forward continuous current	200				mA
IFSM	Repetitive peak forward current	300				mA
IFSM	Surge forward current tp<1s,	600				mA
Ptot	Power dissipation TA=25°C	230				mW
RθJA	Thermal resistance junction to ambient air	430				°C/W
TJ,TSTG	Junction temperature	+120 to +150				°C
TS	Storage temperature range	-65 to +150				°C

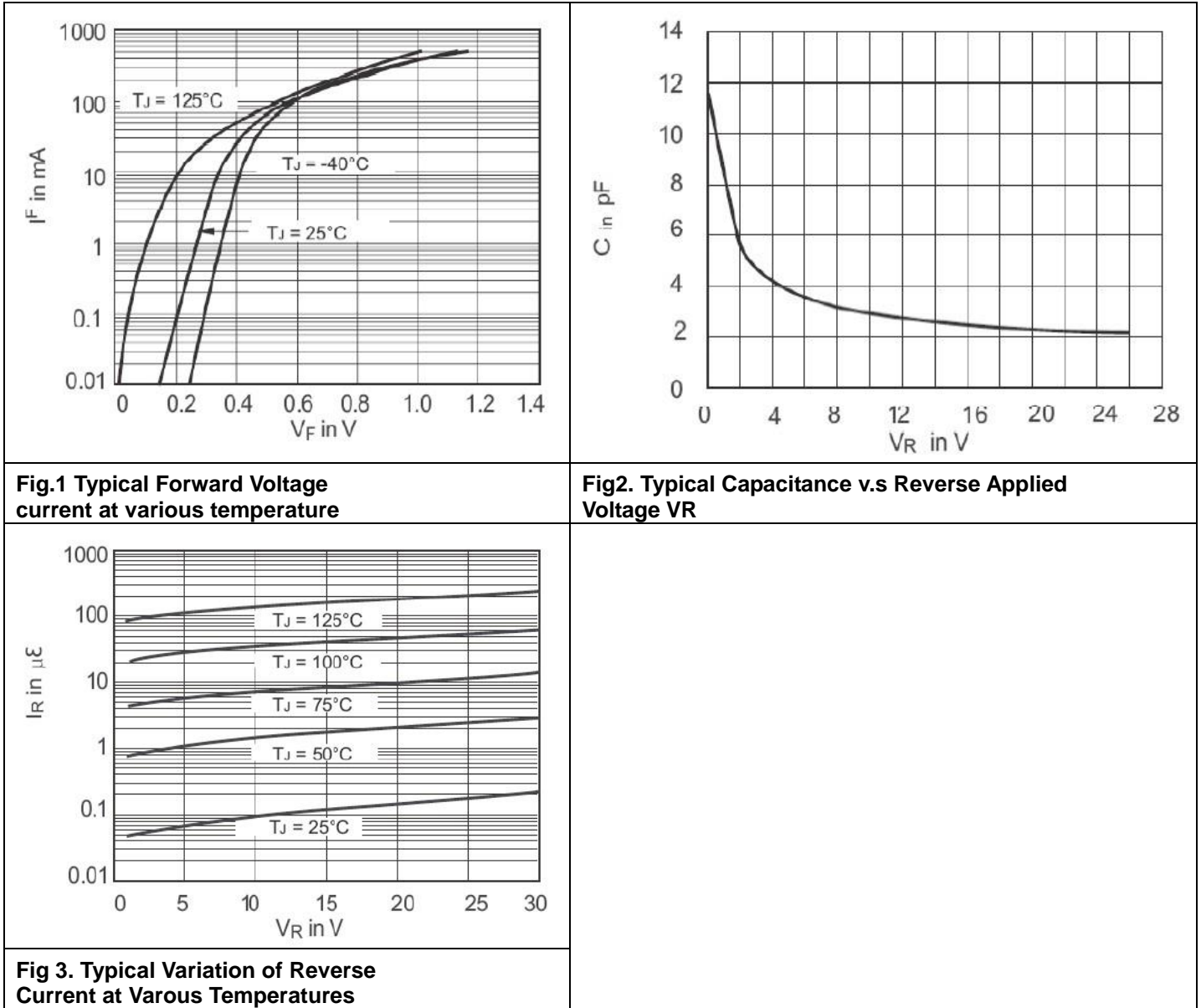
Electrical Characteristics (TA=25°C unless otherwise noted)

Symbol	Parameter	MIN	TYP	MAX	UNIT
V(BR)	Reverse breakdown voltage IR=100uA (pulsed)	30			V
IR	Leakage current Pulse test tp<300us, θ<2% at VR=25V			2	uA
VF	Forward voltage IF=0.1 mA , tp<300us, θ<2% IF=1 mA , tp<300us, θ<2% IF=10 mA , tp<300us, θ<2% IF=30 mA , tp<300us, θ<2% IF=100 mA , tp<300us, θ<2%			240 320 400 500 1000	mV
Ctot	Capacitance VR=1V , f=1MHz			10	pF
Trr	Reverse recovery time IF=10 mA , IR=10 mA to Irr=1 mA , RL=100Ω			5	ns

BAT54

Schottky Barrier Diode

■ RATINGS AND CHARACTERISTIC CURVES



BAT54

Schottky Barrier Diode

Disclaimer

ALL PRODUCT, PRODUCT SPECIFICATIONS AND DATA ARE SUBJECT TO CHANGE

WITHOUT NOTICE TO IMPROVE RELIABILITY, FUNCTION OR DESIGN OR OTHERWISE.

Bruckewell Technology Inc., its affiliates, agents, and employees, and all persons acting on its or their behalf (collectively, "Bruckewell"), disclaim any and all liability for any errors, inaccuracies or incompleteness contained in any datasheet or in any other disclosure relating to any product.

Bruckewell makes no warranty, representation or guarantee regarding the suitability of the products for any particular purpose or the continuing production of any product. To the maximum extent permitted by applicable law, Bruckewell disclaims

- (i) Any and all liability arising out of the application or use of any product.
- (ii) Any and all liability, including without limitation special, consequential or incidental damages.
- (iii) Any and all implied warranties, including warranties of fitness for particular purpose, non-infringement and merchantability.

Statements regarding the suitability of products for certain types of applications are based on Bruckewell's knowledge of typical requirements that are often placed on Bruckewell products in generic applications.

Such statements are not binding statements about the suitability of products for a particular application. It is the customer's responsibility to validate that a particular product with the properties described in the product specification is suitable for use in a particular application. Parameters provided in datasheets and/or specifications may vary in different applications and performance may vary over time.

Product specifications do not expand or otherwise modify Bruckewell's terms and conditions of purchase, including but not limited to the warranty expressed therein.