

1.5WO_WOM SERIES

REVERSE VOLTAGE - 50 to 1000Volts
 FORWARD CURRENT - 1.5 Amperes

Features

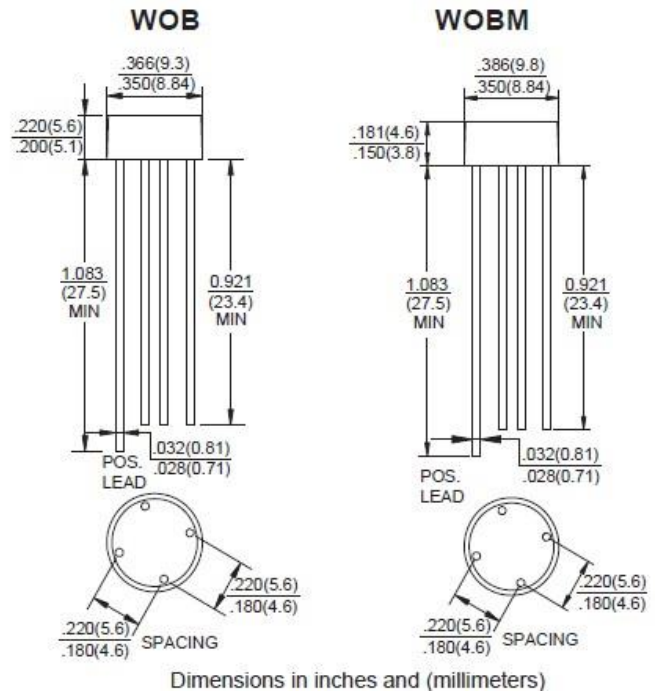
- Surge overload rating -50 amperes peak
- Ideal for printed circuit board
- Reliable low cost construction utilizing molded plastic technique results in expensive product
- Mounting position: Any
- RoHS compliant package

Packing & Order Information

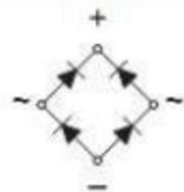
1,000(Bulk) / Box



RoHS
COMPLIANT



Graphic symbol



MAXIMUM RATINGS AND ELECTRICAL CHARACTERISTICS

Rating at 25°C ambient temperature unless otherwise specified.

Single phase, half wave ,60Hz, resistive or inductive load.

For capacitive load, derate current by 20%

Parameter	Symbol	W005	W01	W02	W04	W06	W08	W10	Unit
		W005M	W01M	W02M	W04M	W06M	W08M	W10M	
Maximum repetitive peak Reverse voltage	V_{RRM}	50	100	200	400	600	800	1000	V
Working RMS voltage	V_{RMS}	35	70	140	280	420	560	700	V
Maximum DC blocking voltage	V_{DC}	50	100	200	400	600	800	1000	V
Maximum Average Forward Rectified Current @TA=25°C	$I_{(AV)}$	1.5							A
Peak forward surge current 8.3ms single half sine-wave superimposed on rated load	I_{FSM}	50							A
I2t Rating for Fusing (t<8.3ms)	I^2t	5.0							A ² S

1.5WO_WOM SERIES

REVERSE VOLTAGE - 50 to 1000Volts

FORWARD CURRENT - 1.5 Amperes

Rating at 25°C ambient temperature unless otherwise specified.

Single phase, half wave ,60Hz, resistive or inductive load.

For capacitive load, derate current by 20%

Parameter	Symbol	W005	W01	W02	W04	W06	W08	W10	Unit
		W005M	W01M	W02M	W04M	W06M	W08M	W10M	
Maximum Forward Voltage Drop Per Element at 1.5A Peak	V_F	1.1							V
Maximum Reverse Current at Rated $T_J=25^\circ\text{C}$	I_R	10.0							μA
DC Blocking Voltage $T_J=100^\circ\text{C}$		1.0							mA
Operating junction temperature range	T_J	-55 to +150							$^\circ\text{C}$
storage temperature range	T_{STG}	-55 to +150							$^\circ\text{C}$

1.5WO_WOM SERIES

REVERSE VOLTAGE - 50 to 1000Volts

FORWARD CURRENT - 1.5 Amperes

■ RATING AND CHARACTERISTIC CURVES

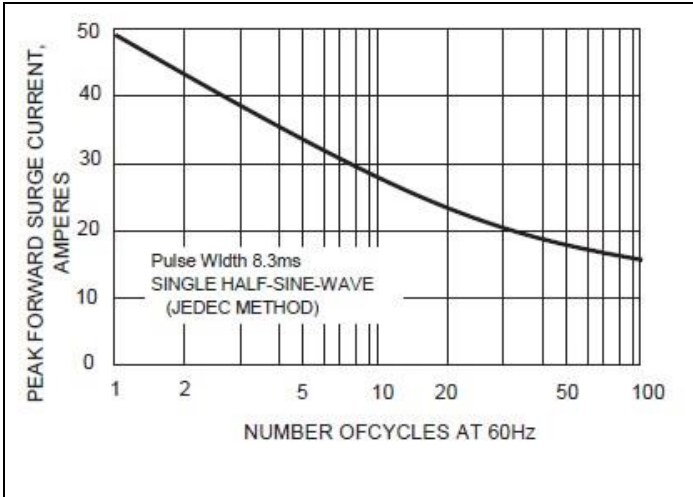


FIG.1- MIMUM NON-REPETITIVE SURGE CURRENT

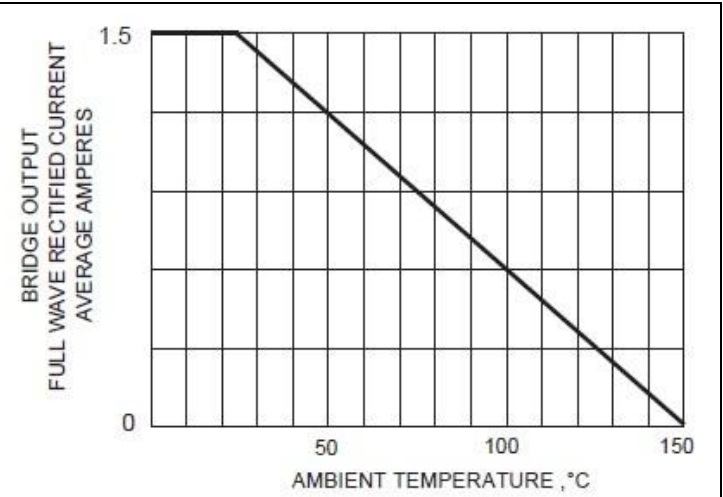


FIG.2- DERATING CURVE OUTPUT RECTIFIED CURRENT

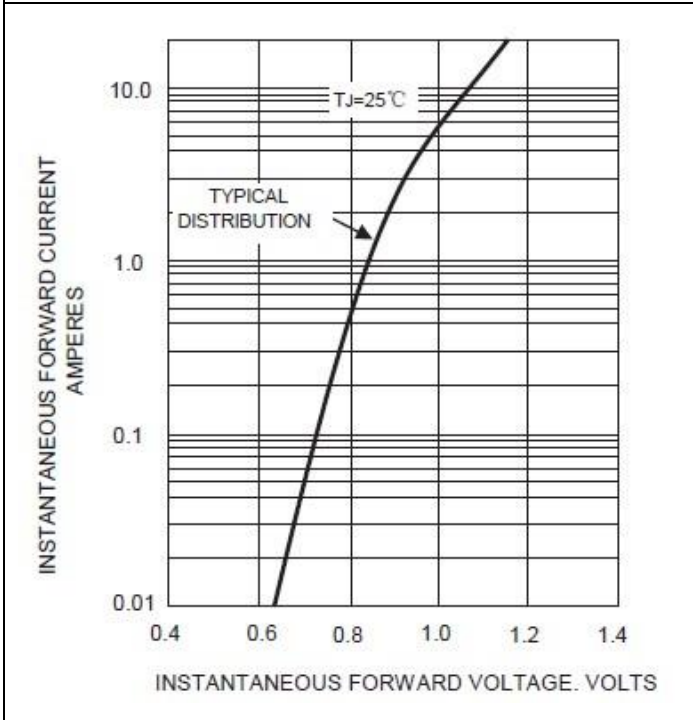


FIG.3- TYPICAL FORWARD CHARACTERISTICS

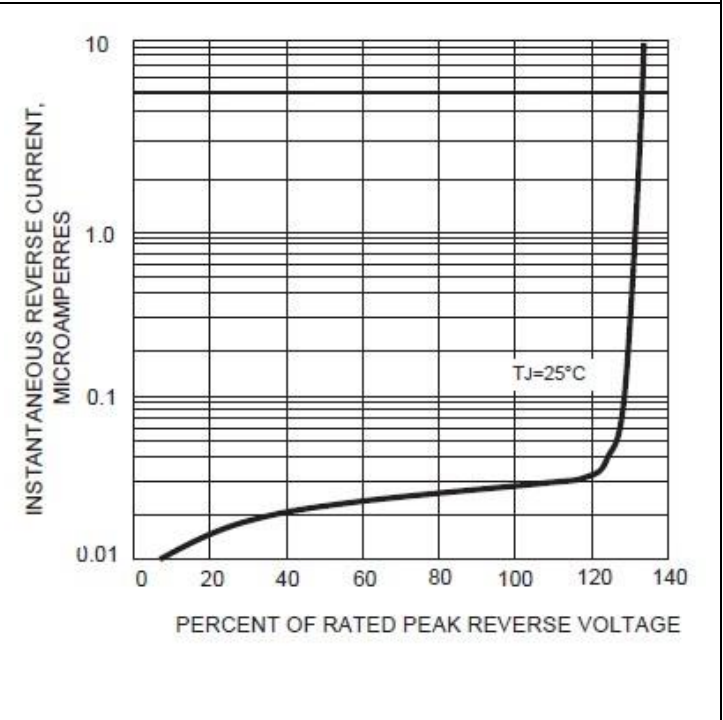


FIG.4- TYPICAL REVERSE CHARACTERISTICS

1.5WO_WOM SERIES

REVERSE VOLTAGE - 50 to 1000Volts

FORWARD CURRENT - 1.5 Amperes

Disclaimer

ALL PRODUCT, PRODUCT SPECIFICATIONS AND DATA ARE SUBJECT TO CHANGE

WITHOUT NOTICE TO IMPROVE RELIABILITY, FUNCTION OR DESIGN OR OTHERWISE.

Bruckewell Technology Inc., its affiliates, agents, and employees, and all persons acting on its or their behalf (collectively, "Bruckewell"), disclaim any and all liability for any errors, inaccuracies or incompleteness contained in any datasheet or in any other disclosure relating to any product.

Bruckewell makes no warranty, representation or guarantee regarding the suitability of the products for any particular purpose or the continuing production of any product. To the maximum extent permitted by applicable law, Bruckewell disclaims

- (i) Any and all liability arising out of the application or use of any product.
- (ii) Any and all liability, including without limitation special, consequential or incidental damages.
- (iii) Any and all implied warranties, including warranties of fitness for particular purpose, non-infringement and merchantability.

Statements regarding the suitability of products for certain types of applications are based on Bruckewell's knowledge of typical requirements that are often placed on Bruckewell products in generic applications.

Such statements are not binding statements about the suitability of products for a particular application. It is the customer's responsibility to validate that a particular product with the properties described in the product specification is suitable for use in a particular application. Parameters provided in datasheets and/or specifications may vary in different applications and performance may vary over time.

Product specifications do not expand or otherwise modify Bruckewell's terms and conditions of purchase, including but not limited to the warranty expressed therein.